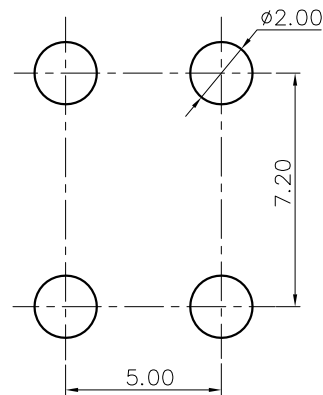
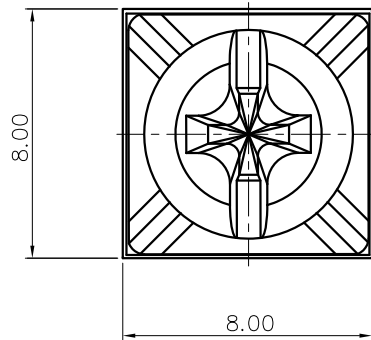


REVISION RECORD

REV	ECN	DESCRIPTION	DRFT	DATE
-----	-----	-------------	------	------



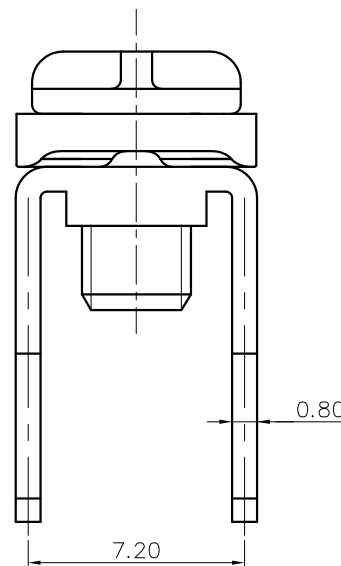
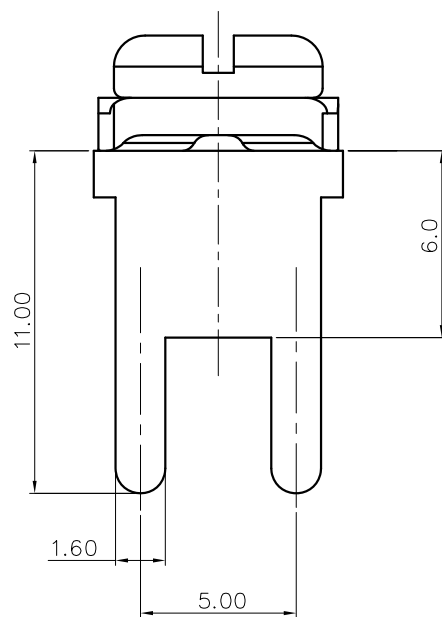
NOTES:

- 1.Torque Value : M3.5 , 7.09Lb.in
- 2.Wire Range:18-14AWG;
- 3.Dimension shall be interpreted per ASME Y14.5-2009
- 4.Undimensioned tolerances:

Pitch range in mm			Nominal dimension range in mm					-	∩	∇
To	Over To	Over To	To	Over To	Over To	Over To	Over To	0.1/10		
6	10	24	30	60	100	150		<		
±0.15	±0.20	±0.30	±0.30	±0.50	±0.70	±1.00	±1.30	±2'		

5.RoHS Compliance

K14-00A (H)  
 (Series No.) (RoHS)  
 00A-(Standard)



DETACHED LISTS	PART NO.:	/			
	APPD:	NAME: 宁波高松电子有限公司 NINGBO DEGSON ELECTRICAL CO., LTD			
	CHKD:	K14-00A(H)			
	DRFT:	TITLE: CUSTOMER DRAWING	REV	D0	
	THIRD ANGLE PROJECTION	DRAWING NO.:	/	SHEET	1/1
		MM (INCH)	DO NOT SCALE DRAWING	SCALE	1:1